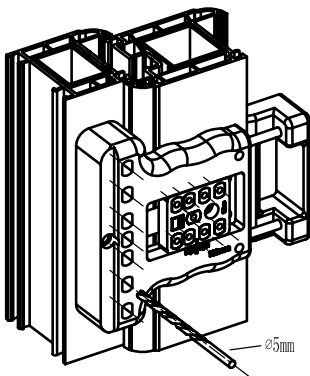


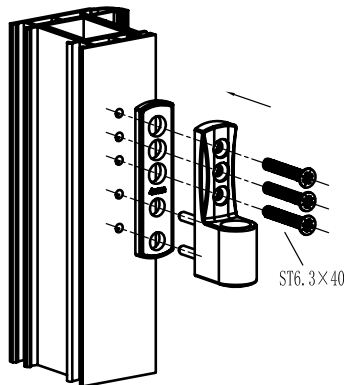


## GREENTEQ SIGMA FLAG HINGE - FITTING INSTRUCTIONS

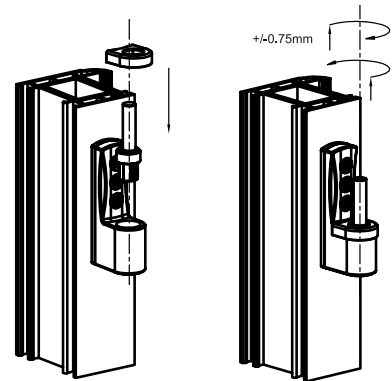
1. Clamp jig into place and drill 5mm holes in frame (bottom 5 on frame) and sash (all)



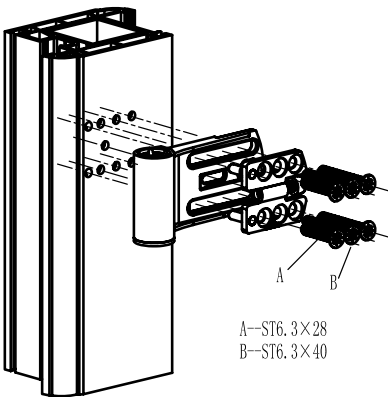
2. Add packers if required then fit hinge body using 40mm screws (supplied)



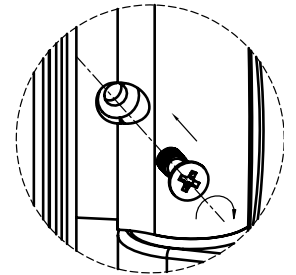
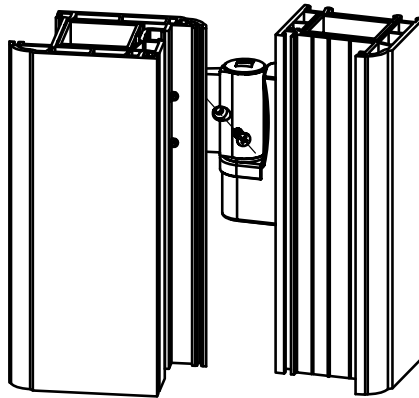
3. Firmly push hinge pin into place (with pin in neutral position to allow +/- 0.75mm adjustment noting offset position) then slide gap cover over pin



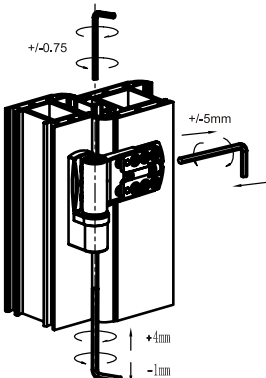
4. Fit flag to sash using screws supplied (28mm through 1st position & 40mm into main chamber)



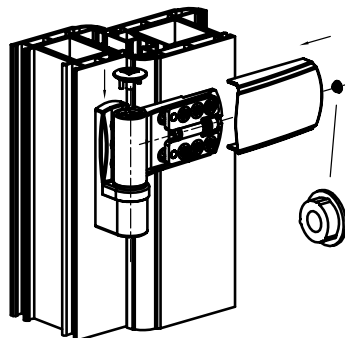
5. When all hinges are fitted slide sash onto frame. Fixing cover plate with screw (retained in plate)



6. Adjust as necessary. It may be necessary to slacken sash screws whilst carrying out lateral adjustment. Re-tighten screws, secure front cover and fit top cover and screw cover.



7. Final adjustment to be carried out on site. Door should be properly 'heeled and toed'.



see more overleaf..

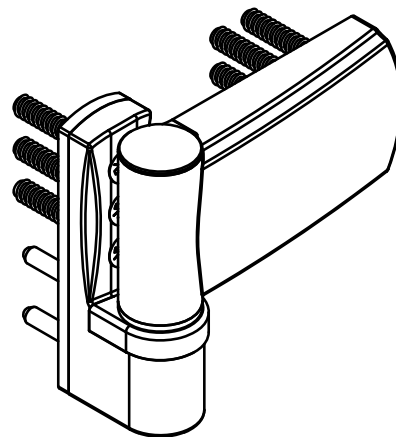
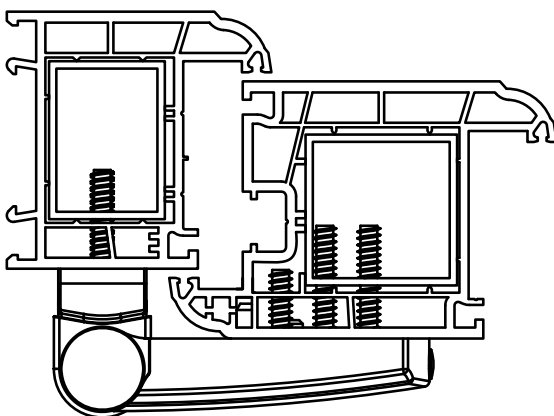
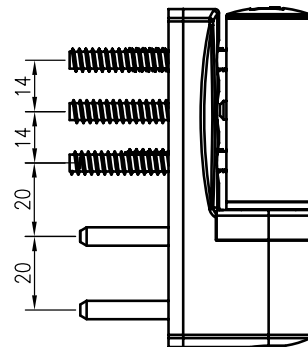
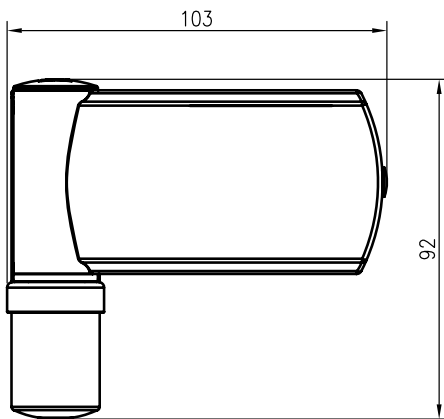
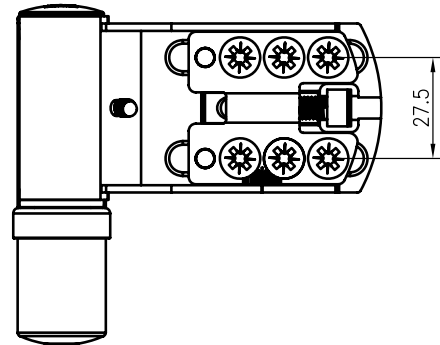
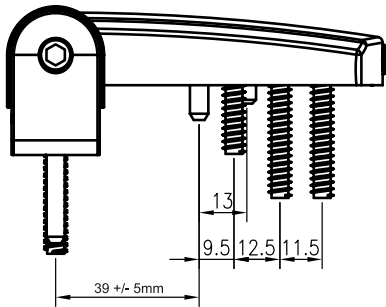
For further assistance, call 01702 613733

[www.climatec-windows.co.uk](http://www.climatec-windows.co.uk)

11-14 Fletchers Square, Temple Farm Industrial Estate, Southend-on-Sea, Essex SS2 5RN



## GREENTEQ SIGMA 3D FLAG HINGE



For further assistance, call **01702 613733**

[www.climatec-windows.co.uk](http://www.climatec-windows.co.uk)

11-14 Fletchers Square, Temple Farm Industrial Estate, Southend-on-Sea, Essex SS2 5RN